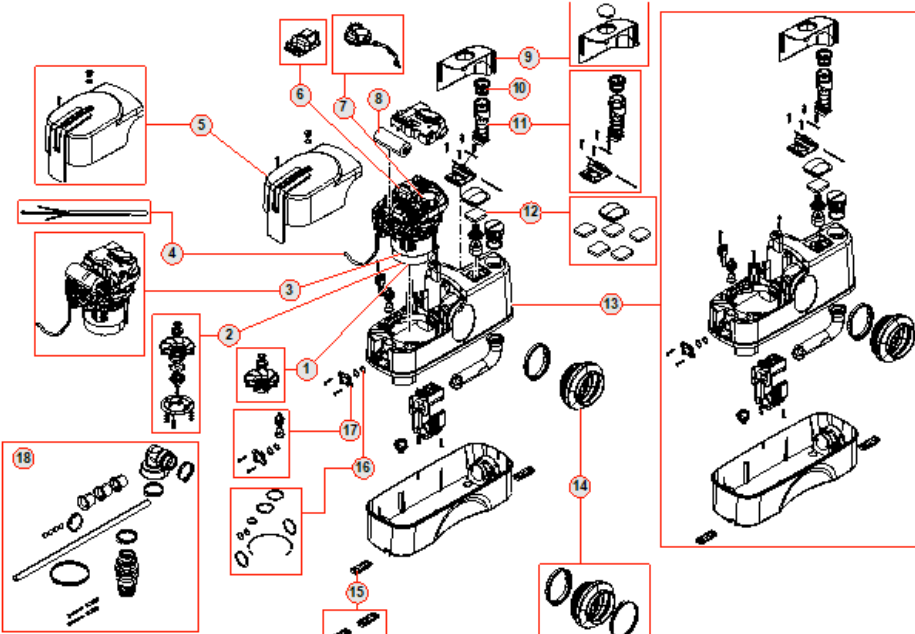
		Spare parts list		Revision number	Page 1
Customer		Supplier			
Company name Dept. Editor Phone number Fax no. E-mail					
Model - Revision @ Code_Document version Attention: check the correspondence with the revision of your product					
Pos.no	Description	Item no.	Quant.	UP	
GENX 110 V230/50 SCHUKO - N.1.- - @ 60165319_a.c					
					
1	(SP) IMPELLER BEND SHAPE	SP00001310	1	Price on req.	
2	(SP) KIT GRINDER + IMPELLER	SP00001311	1	Price on req.	
3	(SP) COMPLETE FLANGE GROUP - V230-50Hz	SP00001312	1	Price on req.	
4	(SP) CABLE L 1,54M H05VV-F SCHUKO PLUG	SP00001314	1	Price on req.	
5	(SP) MOTOR COVER	SP00001315	1	Price on req.	
6	(SP) PCB V230/50Hz	SP00001316	1	Price on req.	
7	(SP) PRESSURE SWITCH 100PA	SP00001321	1	Price on req.	
8	(SP) CAPACITOR 20uF 425V 30000h P2 DOUBLE FASTON	SP00001322	1	Price on req.	
9	(SP) PIPE COVER	SP00001323	1	Price on req.	
10	(SP) GROUP NRV VALVE	SP00001324	1	Price on req.	
11	(SP) KIT OUTLET + NRV	SP00001325	1	Price on req.	
12	(SP) KIT N°5 AIR FILTERS	SP00001326	1	Price on req.	
13	(SP) KIT TANK 110 W/O MOTOR COVER	SP00001335	1	Price on req.	
14	(SP) FLEX CONNECTION OVAL	SP00001328	1	Price on req.	
15	(SP) FIXING BRACKETS	SP00001329	1	Price on req.	
16	(SP) KIT O-RING	SP00001330	1	Price on req.	
17	(SP) KIT ROTATING TAP	SP00001332	1	Price on req.	
18	(SP) KIT ACCESSORY 110	SP00001336	1	Price on req.	

Project

Creation software

Spaix® 5-2019.3 - 2019/11/29 (B)

Issue date

03/12/2019

Last update

03/12/2019